

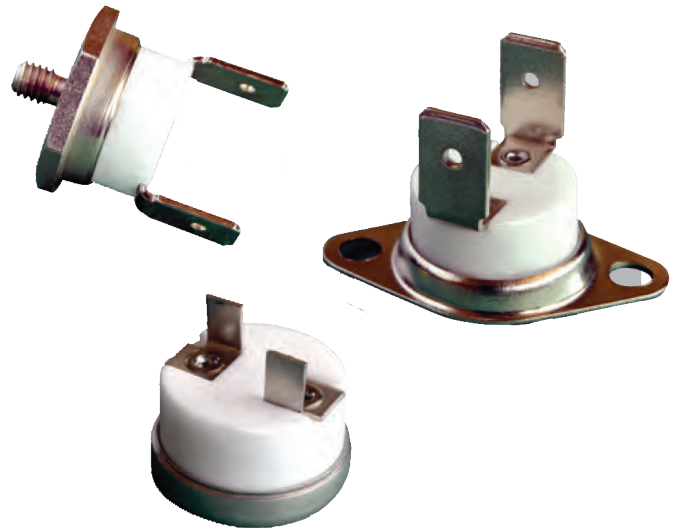
TK24HT 1/2" Disc Thermostats

Description:

This is a cyclic operating temperature sensitive device, which is intended to control the temperature between two particular values under normal operating conditions, automatically switching off the electrical circuit. This thermostat is designed to operate in higher temperatures.

This thermostat is available only with electrical contacts that open as the temperature increases. Once the temperature of the bimetal disc has returned to the specified reset temperature, the contacts will automatically return to their original state.

Besides its variety of standard configurations the thermostat can also be customized to the specific technical needs of the customer, assuring maximum design flexibility and usage in broad range of temperature control applications for consumer, industrial and commercial applications.



Electrical Ratings:

- Operating Temperature Range (+250 °C to + 425 °C)
- Contact Type: Normally Closed

Basic Technical Data:

Parameter	Value
Rated voltage, V, not more	~250
Rated current, A, at power coeff. 0,95, not more	10
Rated current, A, at power coeff. 0,6, not more	6,3
Number of automatic cycles, at rated current 10 A and power coeff. 0,95, not less than	10,000
Operating temperature, °C	250 to 425
Tolerance of operating temperature, %	± 6
Reset temperature, lower than operating temperature, °C, on	60 ± 10; 100 ± 10; 150 ± 10
Transient resistance, Ω, not more	0,05
Contact operating time, ms, not more	3
Electric strength of insulation, V, not less than	1500
Insulation resistance, MΩ, not less than	50
Heating speed, K/min	minimum-0,1; maximum-1,0
Degrees of protection provided by enclosure	IP4X

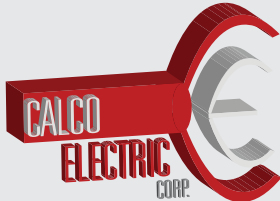


Phone: 330-966-3796
Fax: 330-408-7085
sales@calcoelectric.com
2381 Locust St. S., Unit #6
Canal Fulton OH, 44614
www.calcoelectric.com

TK24HT 1/2" Disc Thermostats

Table 1.1 (TERMINALS)

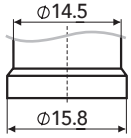
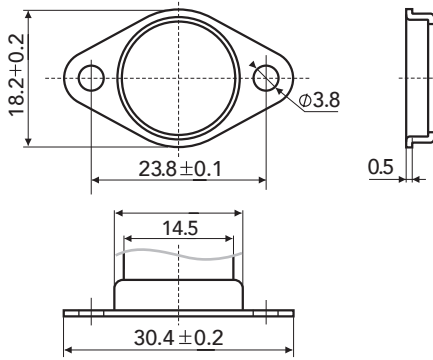
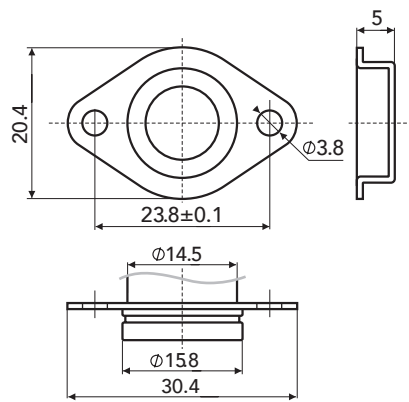
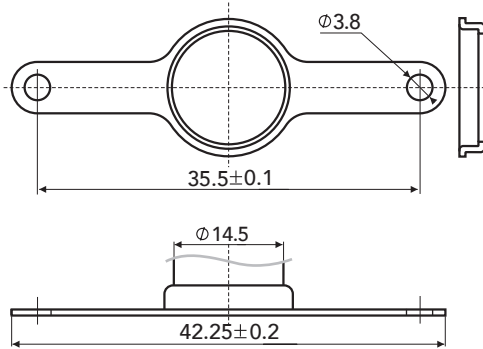
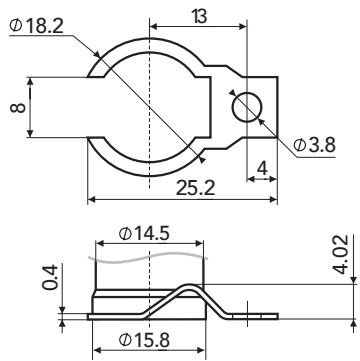
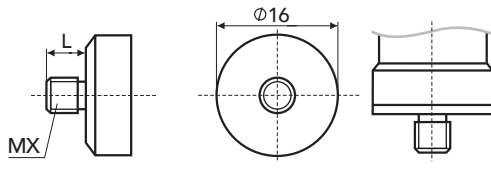
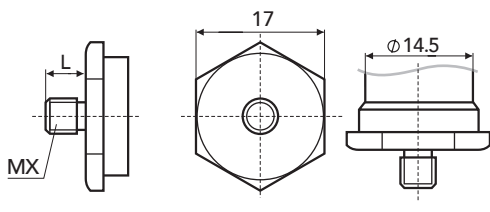
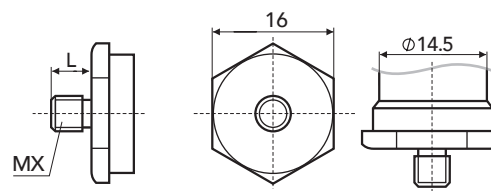
<p>T 01</p>		<p>T 02</p>	
<p>T 03</p>		<p>T 06</p>	
<p>T 07</p>		<p>T 08</p>	
<p>T 10</p>		<p>T 11</p>	



Phone: 330-966-3796
 Fax: 330-408-7085
 sales@calcoelectric.com
 2381 Locust St. S., Unit #6
 Canal Fulton OH, 44614
 www.calcoelectric.com

TK24HT 1/2" Disc Thermostats

Table 1.2 (MOUNTING)

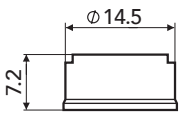
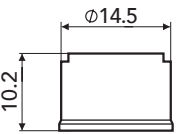
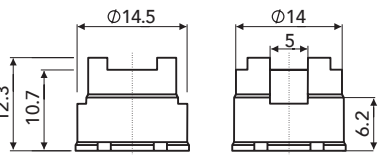
<p>MG 00 NO MOUNTING</p>		<p>MG 01 ROTATION OR FIXED CLIP</p> 
<p>MG 02 CAP-FLANGE</p>		<p>MG 03 ROTATION CLIP</p> 
<p>MG 04 CLIP WITH ONE FIXING HOLE</p>		<p>MG 06 SCREW CAP ROUND</p>  <p>Screw parameters (MX, L) to be specified on the order form</p>
<p>MG 07 SCREW CAP HEXAHEDRAL 17</p>	 <p>Screw parameters (MX, L) to be specified on the order form</p>	<p>MG 08 SCREW CAP HEXAHEDRAL 16</p>  <p>Screw parameters (MX, L) to be specified on the order form</p>



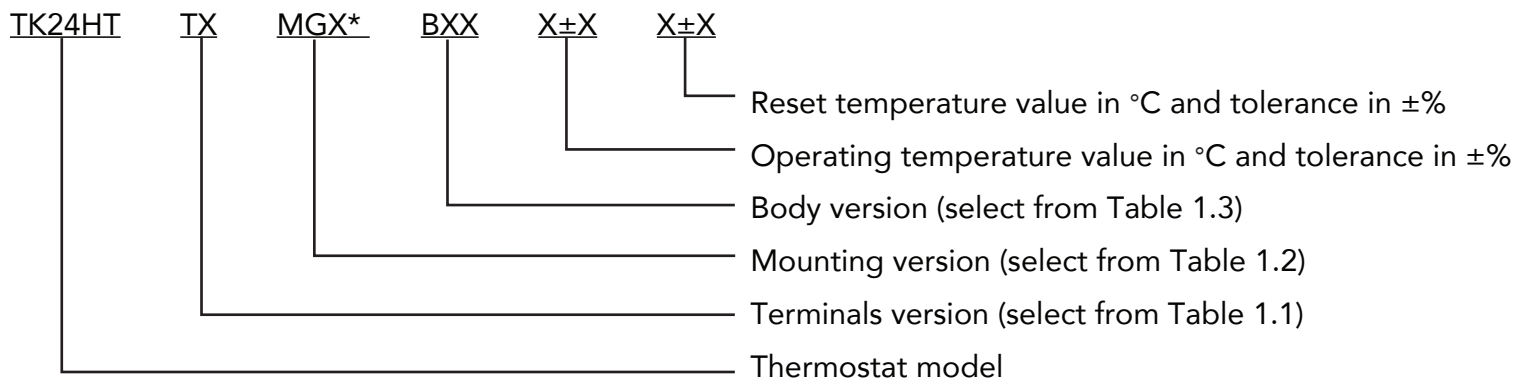
Phone: 330-966-3796
 Fax: 330-408-7085
 sales@calcoelectric.com
 2381 Locust St. S., Unit #6
 Canal Fulton OH, 44614
 www.calcoelectric.com

TK24HT 1/2" Disc Thermostats

Table 1.3 (BODY and/or CASE)

B1C CERAMIC BODY		B2C CERAMIC BODY		B3C CERAMIC BODY	
----------------------------	---	----------------------------	---	----------------------------	---

PART ORDERING SYSTEM Example: TK24HT - T01 - MG04 - B2C - 3506% - 20010%



*For screw cap mountings, screw parameters must be specified when placing an order.

CERTIFICATIONS



Phone: 330-966-3796
 Fax: 330-408-7085
 sales@calcoelectric.com
 2381 Locust St. S., Unit #6
 Canal Fulton OH, 44614
 www.calcoelectric.com