

WAA2 Series Thermostat

CREEP ACTION THERMOSTAT

WAA2 creep action thermostat is specially designed for appliances temperature control, applicable to car seat, medical cushion and heating pad. It is focused on the low temperature range and small temperature differential. The lead wire is optional and the case is live. Insulation sleeving is available.

Features

- Creep action: slow make/slow break switching action
- Preset calibration temp (not adjustable)
- Conductive bimetal construction
- Bimetallic element carries the circuit current
- No built-in differential between opening and closing temp
- Insulating sleeving is available (case electrically alive)
- Available to open circuit on rise of temperature (normally closed)
- Available with same end termination or opposite end termination
- Available with factory applied lead wires.



Specifications:

Voltage:	120V	250V	24V
Current:	5A	3A	6A
Temperature range:	0-180°C		

Electrical Specifications:

- 5A/120V AC
- 3A/250V AC
- 6A/2V DC

Temperature Ratings:

- Response temperature: 0-180°C
- Tolerance: ±5°C
- Differential temperature: 5°C for creep action device

Special Notes for Thermal Switch:

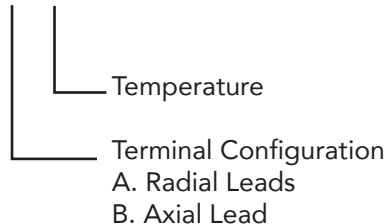
- The temperature rate of rise under calibration should be less than 1°C per 1 minute.
- Vacuum varnishing is not applicable. Specially treated thermostat is optional.
- Varnishing under room temperature is possible. The temperature has to be less than 70°C.

Applications of Thermostat:

- Blankets, Heating pads & Medical pads
- Other applications which need low temperature control

Ordering Information:

WAA2-A-XXX

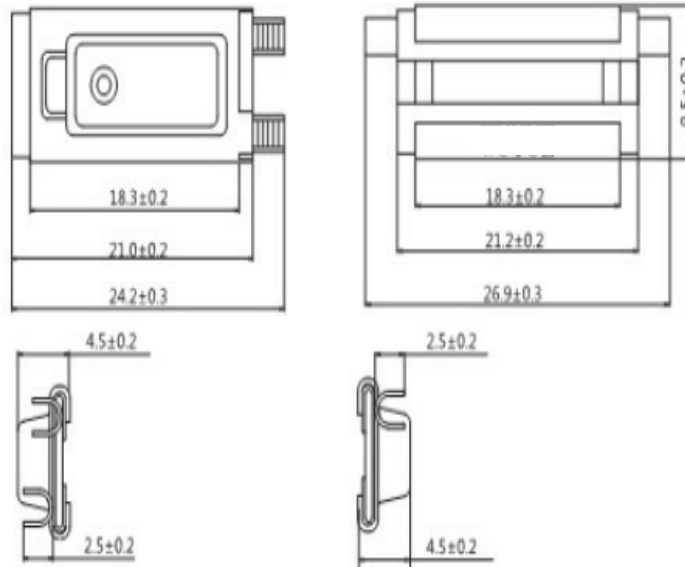


Phone: 330-966-3796
Fax: 330-408-7085
sales@calcoelectric.com
2381 Locust St. S., Unit #6
Canal Fulton OH, 44614
www.calcoelectric.com

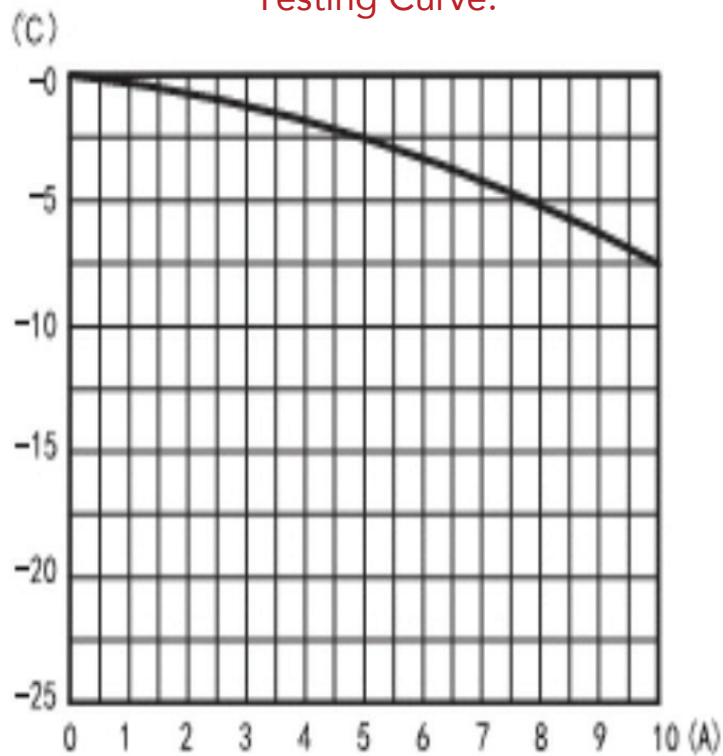
WAA2 Series Thermostat

LOW TEMPERATURE CREEP ACTION THERMOSTAT

Dimensional Drawings:



Testing Curve:



Phone: 330-966-3796
Fax: 330-408-7085
sales@calcoelectric.com
2381 Locust St. S., Unit #6
Canal Fulton OH, 44614
www.calcoelectric.com