

M2HA HIGH TEMPERATURE SENSOR

Temperature Ratings:

Ambient Temperature Range: -30°C to 430°C
Operating Temperature: Setting temperature (200 to 380°C) $\pm 15^\circ\text{C}$
Differential: $25 \pm 7\text{K}$ ($^\circ\text{C}$)



Technical Specifications:

Contact: 1b (contact type X only)
Contact Resistance: Less than 100 m Ω (3.5mV/100mA method)
Insulation Resistance: Greater than 100 M Ω between lead and case at DC500V
Insulation Voltage: AC2000V for 2 seconds between leads and case
AC500V for 1 min. between Contacts with 10mA leakage current
Life: 1 million mechanical operations, more than 10,000 electrical operations at the rated load satisfying with Insulation Resistance and Insulation Voltage listed above
Heat & Cold Resistance: Ambient temperature $-30 \pm 3^\circ\text{C}$ for 168 hours
Ambient temperature being a setting temperature plus 50°C for 168 hours
Both satisfy above listed operating temperature at the setting temperature
Resistance for Moisture: Ambient temperature $40 \pm 3^\circ\text{C}$, RH90-98% for 168 hours
Satisfies Insulation Resistance listed above to be measured within 5 minutes.
(without drip of water)
Vibration Tolerance: Selected from JIS · C · 0911-1984
Constant vibration; 50Hz fixed/0.2 mm fixed (1G)
Sweep vibration; 10~55Hz/0.35 mm fixed (0.1~2.2G)
Withstands 1 hour each in directions X, Y and Z.
Impact Resistance: Prohibit a dropping or a physical impact to the thermostat due to the ceramic case.

Voltage & Current Ratings:

Voltage(AC/DC)	Operating Ampere
AC125V/DC12V	1mA to 50mA
AC250V/DC24V	1mA to 50mA

Safety Information:

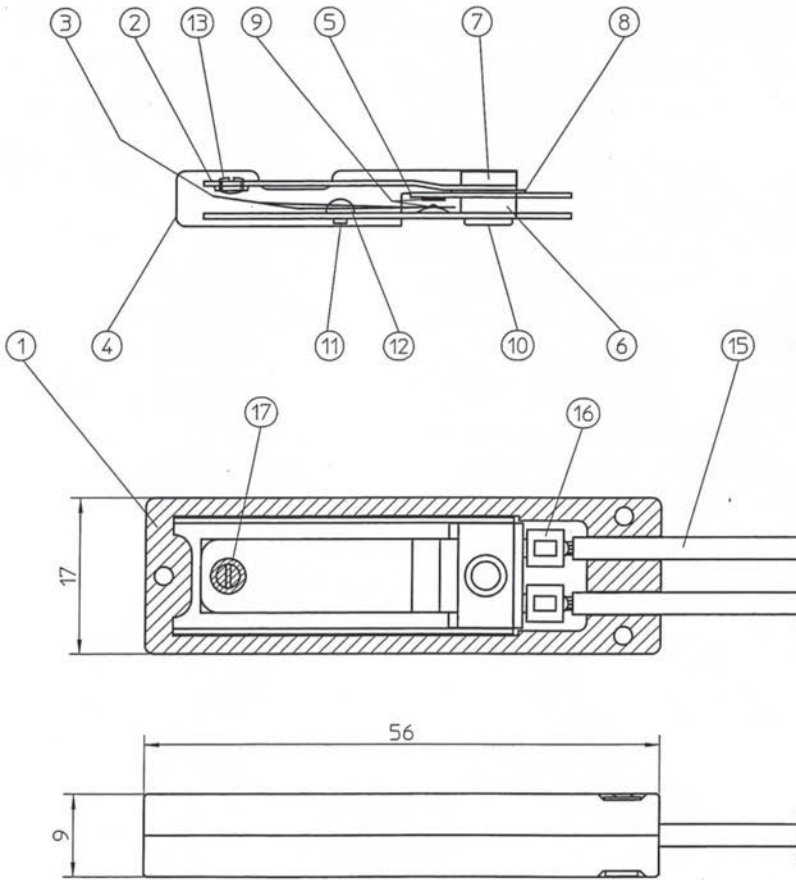
1. Use a power supply voltage and current within the specified range.
2. Do not use the M2HA in location subject to flammable gases or objects. (IP40)
3. Do not use the M2HA in locations subject to explosive or combustible dust, combustible gas, flammable vapors, saltwater spray and water drops.(IP40)
4. Do not drop or disassemble the M2HA, otherwise the thermostat will not be capable of its performance.
5. Use the specified mounting bracket if mounting is necessary.



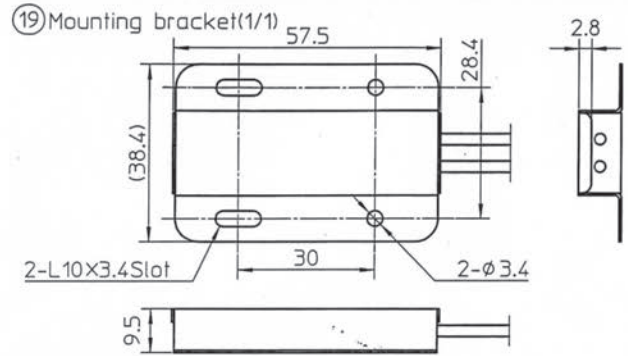
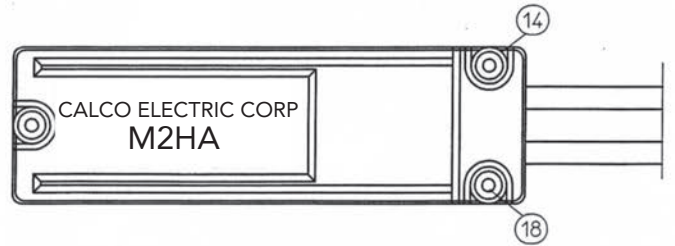
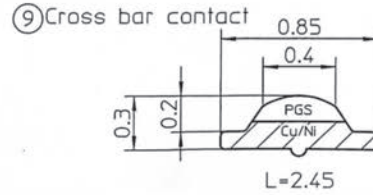
Phone: 330-966-3796
Fax: 330-408-7085
sales@calcoelectric.com
2381 Locust St. S., Unit #6
Canal Fulton OH, 44614
www.calcoelectric.com

M2HA HIGH TEMPERATURE SENSOR

Product Drawings:



Details Contact



- 1 Case
- 2 Bimetal
- 3 Spring
- 4 Spring holder
- 5 Terminal A
- 6 Insulator
- 7 Holding Plate
- 8 Insulation Plate
- 9 Cross Bar Contact
- 10 Rivet
- 11 SP Rivet
- 12 SP Washer
- 13 Adjusting Screw
- 14 Washer
- 15 Lead Wire
- 16 Sleeve
- 17 Screw locking glue
- 18 Hollow Rivet
- 19 Mounting Bracket

Scale 2:1
Accuracy ± 1



Phone: 330-966-3796
 Fax: 330-408-7085
 sales@calcoelectric.com
 2381 Locust St. S., Unit #6
 Canal Fulton OH, 44614
 www.calcoelectric.com