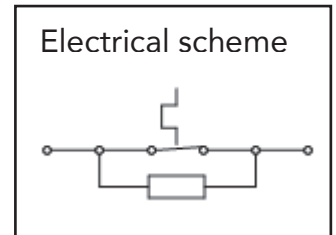


# ASR44G - ASR SELF HOLD THERMAL CUTOUT

## General Specifications

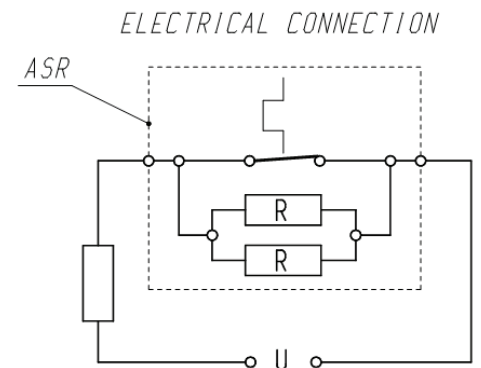
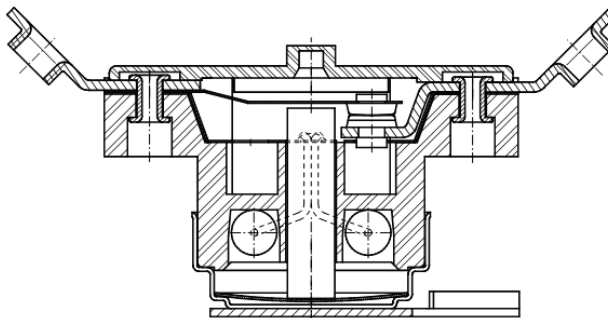
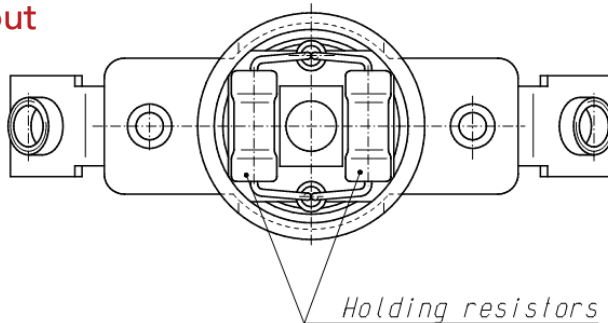
Contact	SPST; normally closed
Rated voltage	115V AC; 230V AC; 24V AC,DC; 48V AC, DC
Rated current	
of resistance loading $I_{zn}, \cos\alpha = 1,0$	25 A
Number of switching cycles at rating loading	6 000 cycles
Range of rated switching temperatures	65 °C – 175 °C
Switching temperature tolerance	±5 K/ ±7,5 K/ ±10 K
Temperature limit above which automatic reset shall not occur	not higher than: - 20°C
Speed of temperature changes to determine switching temperature	0,5 ÷ 1 K/min
Thermal resistance	max 260 °C / 1min
Degree of protection	IP 00
PTI of material used for insulation	250 V
Electrical strength of insulation	2 500 V
Construction	incorporated; non-electronic



Order sample: **ASR44G 90.05 A1 230V**

(Type - Switching temperature - Switching temperature tolerance - Base for mounting - Rated voltage)

Thermal Cut-out  
self reseling  
(with holding  
resistors -  
Type ASR



*R - holding resistors  
U - rated voltage*

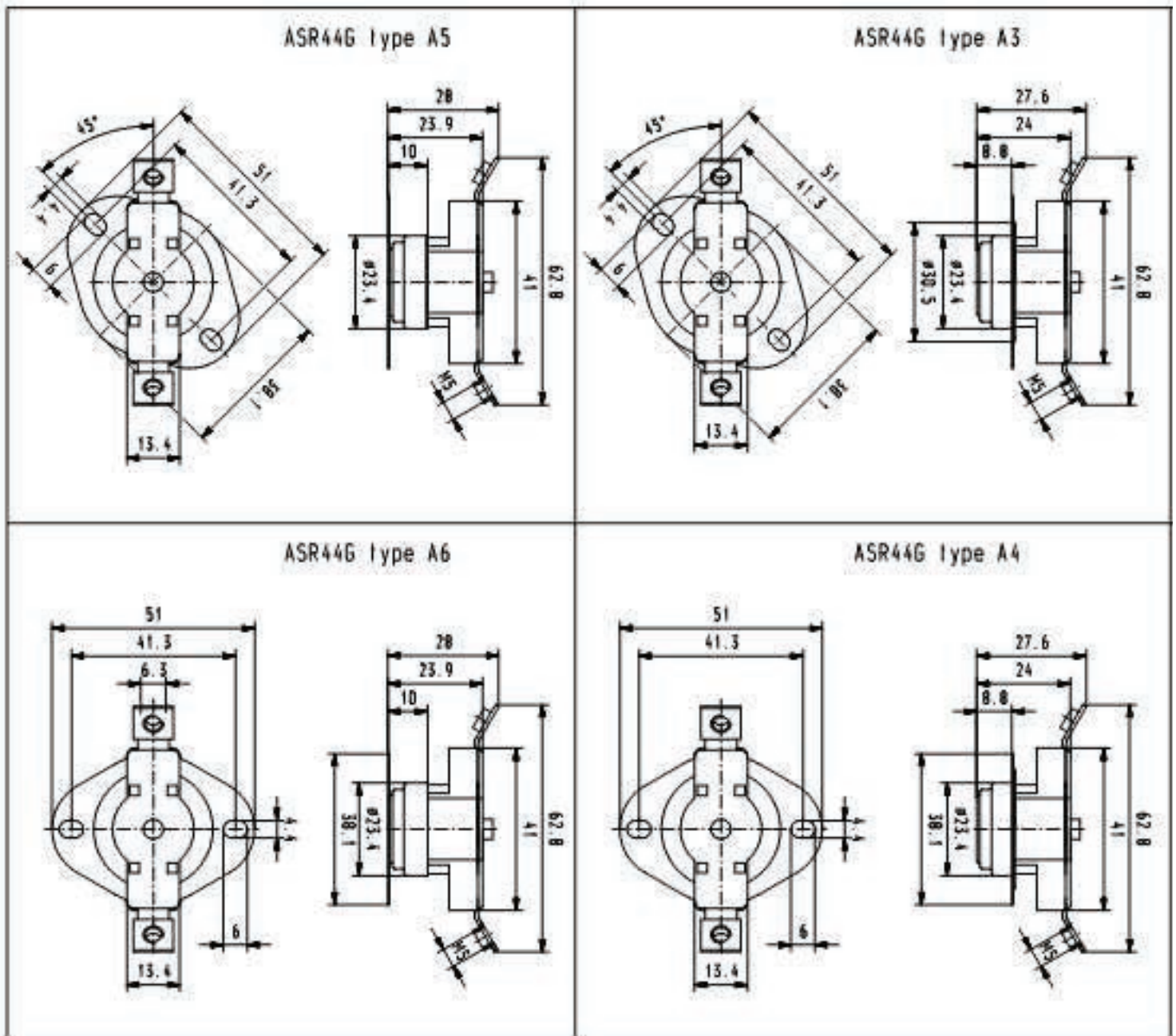
U [Volts]	R [Ohm]
230	22000
115	5600
24	220
12	56



Phone: 330-966-3796  
 Fax: 330-408-7085  
 sales@calcoelectric.com  
 2381 Locust St. S., Unit #6  
 Canal Fulton OH, 44614  
 www.calcoelectric.com

# ASR44G - ASR SELF HOLD THERMAL CUTOUT

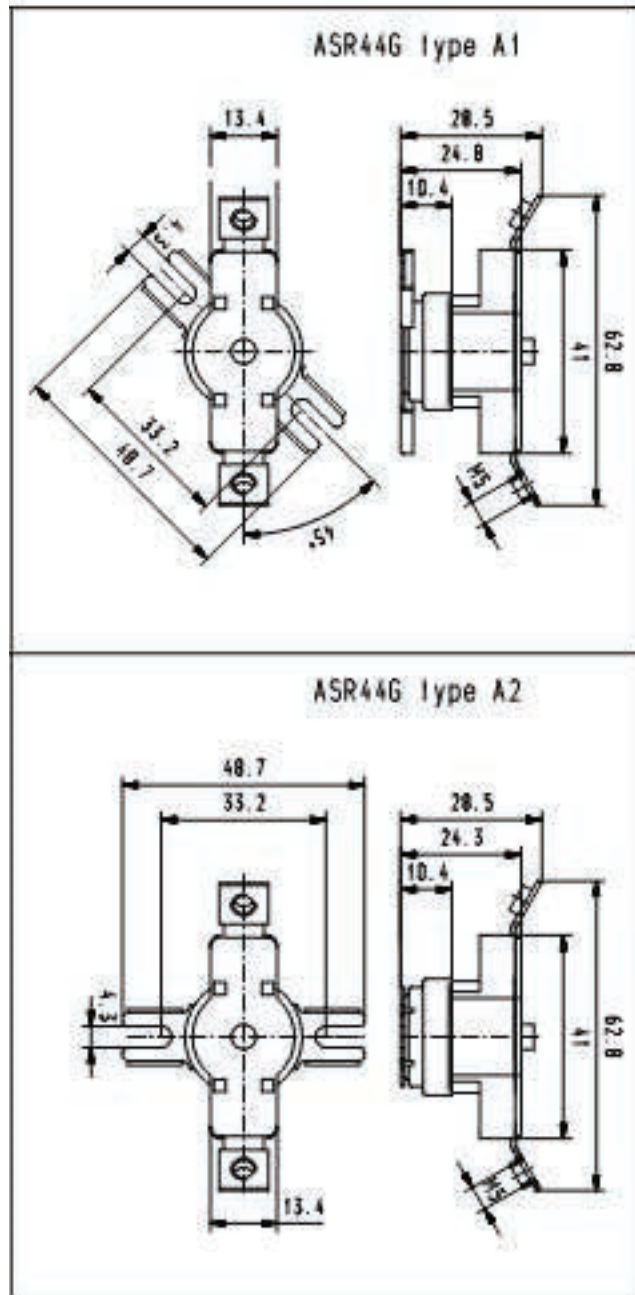
## Standard Constructions



Phone: 330-966-3796  
Fax: 330-408-7085  
sales@calcoelectric.com  
2381 Locust St. S., Unit #6  
Canal Fulton OH, 44614  
www.calcoelectric.com

# ASR44G - ASR SELF HOLD THERMAL CUTOUT

## Standard Constructions (pg. 2)



Phone: 330-966-3796  
Fax: 330-408-7085  
sales@calcoelectric.com  
2381 Locust St. S., Unit #6  
Canal Fulton OH, 44614  
www.calcoelectric.com

# ASR44G - ASR SELF HOLD THERMAL CUTOUT

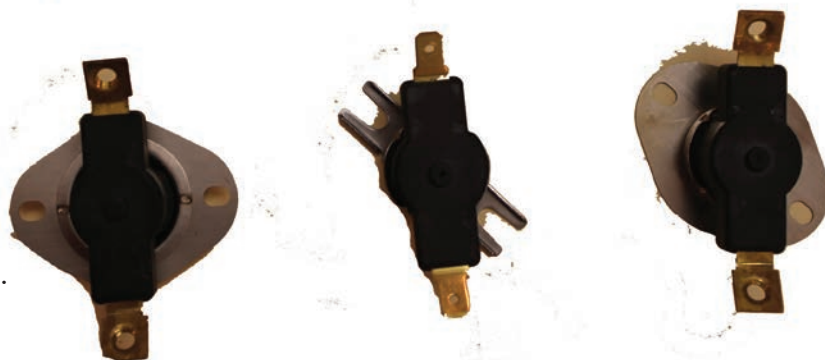
## 3/4" DISC SELF HOLD THERMAL CUT OUT

The self hold thermal cut out is designed to prevent overheat or fault conditions in a heater. Once activated in a fault condition, the contacts open and remain open. The only way to reset is to remove power from the circuit. This design feature adds extra safety over an automatic reset device and works much like a manual reset, but without the push button and without the problem of remote access to reset the device manually.



## HOW THE SELF HOLD ASR WORKS

The ASR is a thermostat/resistor combination. The resistor is electrically located below the contact arm of the thermostat. When the thermostat contacts open at the predetermined trip temperature, the resistors are in series with the load. The resistors maintain a temperature to the temperature sensitive bimetal of the thermostat to maintain the contacts in the open state.



To reset the self hold ASR, power must be removed and sufficient time to allow for the self hold ASR bimetal to cool down before the thermostat resets itself to the normally closed position.

## FEATURES

- \*Recognized UL component, tested to UL standard 873
- \*Available with surface, air sensing, well or cavity type mountings
- \*High switching current 25 AMP/240 volts
- \*Reliable temperature performance over the life of the device
- \*Ultimate safety device in critical applications
- \*Also available for 115VAC, 24VAC/DC, 48VAC/DC, applications
- \*Various mounting configurations along with different terminations available

## APPLICATIONS

Unit Heaters  
Boilers and Steam Generators  
Circulation Heaters  
Air Conditioners  
Hand Dryers

Process Air Heaters  
Large Tank Heaters  
Spa Heaters  
Ventilating Equipment  
Tabletop Appliance

Comfort Air Heaters  
Immersion Heaters  
Sauna Heaters  
Vending Machine  
Commercial Cooking Equipment



Phone: 330-966-3796  
Fax: 330-408-7085  
sales@calcoelectric.com  
2381 Locust St. S., Unit #6  
Canal Fulton OH, 44614  
www.calcoelectric.com