

1/2" Disc Automatic Reset Thermostat

Snap Action Temperature Control: The HB-2 series of 1/2" bimetal temperature controls from Calco Electric offers proven reliability in a compact, cost-effective design. The snap-action of the bimetal disc provides excellent contact separation resulting in excellent life cycle at electrical loads of 15 amps at 120 volts and 7.5 amps@250 volts, and 10 amps at 240 VAC for 100,000 cycles.

Typical Applications: The HB-2 has a wide variety of applications to be used as a safety limit(hi-limit) or a regulation controller.

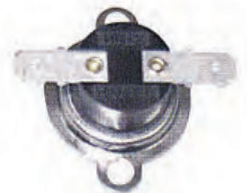
- Small appliances
- White goods
- Electric heaters
- Automotive seat heaters
- Water heaters

General Specification

Item	Description		
Basic Features	1/2 Inch Thermostat		
Operation Type	A ; Open on rising temperature	B ; Close on rising temperature	
Temperature Range	-20°C to 100°C	101°C to 120°C	121°C to 150°C
Tolerance	5°C	5°C	5°C
Difference	10°C	15°C	20°C
Calibration Method	1°C / 2min in air circulating chamber with rated current load of 200mA or less		
Insulation Resistance	More than 100MΩ at DC 500V by Mega Ohm tester		
Dielectric Strength	AC 1,500V for 1 minute or AC 1,800V for 1 second		
Contact Resistance	Less than 50 mΩ		

Electrical Rating

Rated Voltage	AC 125V	AC240V	AC250V
Rated Current	15A	10A	7.5A
Minimum Current	200mA		
Frequency	50 / 60Hz		
Rated Cycles	100,000 cycles	CSA/UL Approvals	



Phone: 330-966-3796
 Fax: 330-408-7085
 sales@calcoelectric.com
 2381 Locust St. S., Unit #6
 Canal Fulton OH, 44614
 www.calcoelectric.com

1/2" Disc Automatic Reset Thermostat

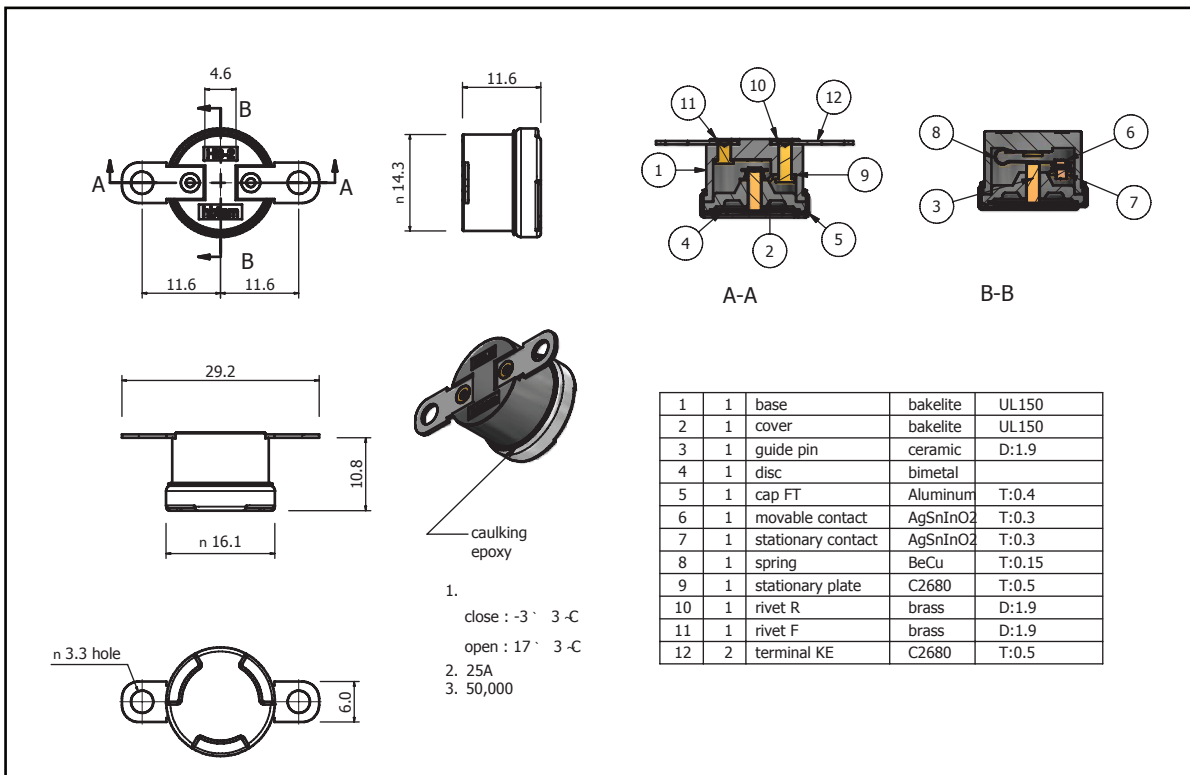
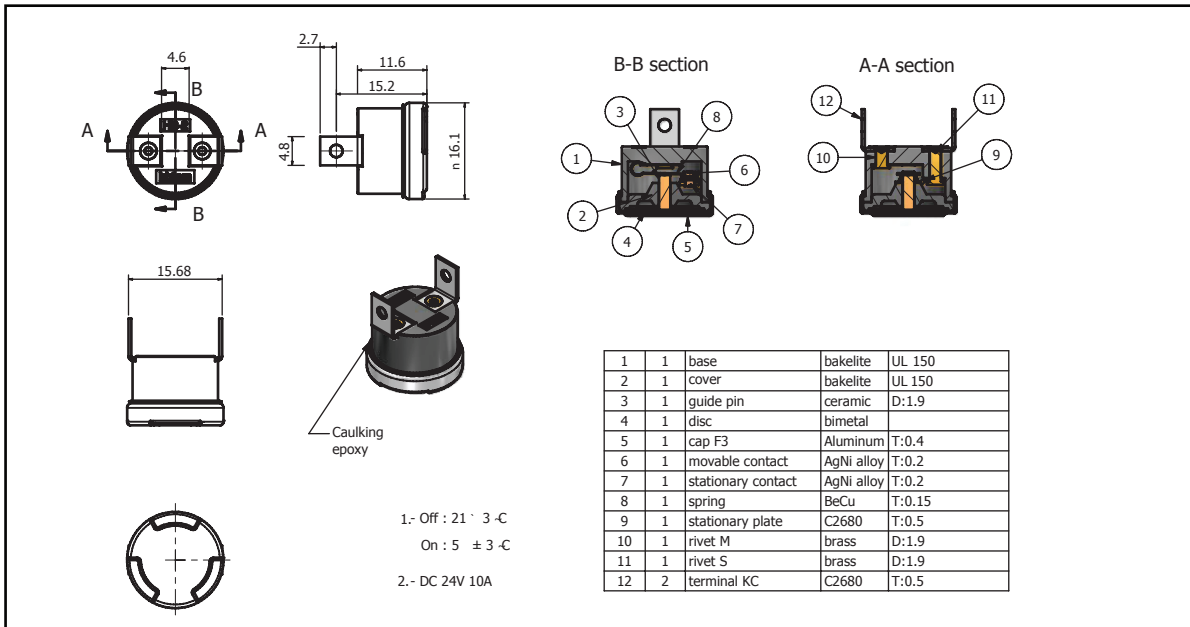
1	1	base	bakelite	UL150
2	1	cover	bakelite	UL150
3	1	guide pin	ceramic	D:1.9
4	1	disc	bimetal	
5	1	cap sus	SUS304	T:0.25
6	1	movable contact	AgSnInO2	T:0.3
7	1	stationary contact	AgSnInO2	T:0.3
8	1	spring	BeCu	T:0.15
9	1	stationary plate	C2680	T:0.5
10	1	rivet M	brass	D:1.9
11	1	rivet S	brass	D:1.9
12	1	terminal KD1	C2680	T:0.5
13	1	terminal KD2	C2680	T:0.5

1	1	base	bakelite	UL 150
2	1	cover	bakelite	UL 150
3	1	guide pin	ceramic	D:1.9
4	1	disc	bimetal	
5	1	cap F3	Aluminum	T:0.4
6	1	movable contact	AgNi alloy	T:0.2
7	1	stationary contact	AgNi alloy	T:0.2
8	1	spring	BeCu	T:0.15
9	1	stationary plate	C2680	T:0.5
10	1	bracket	SPC	T:0.3, Zn coated
11	1	rivet M	brass	D:1.9
12	1	rivet S	brass	D:1.9
13	2	terminal 187H	C2680	T:0.5



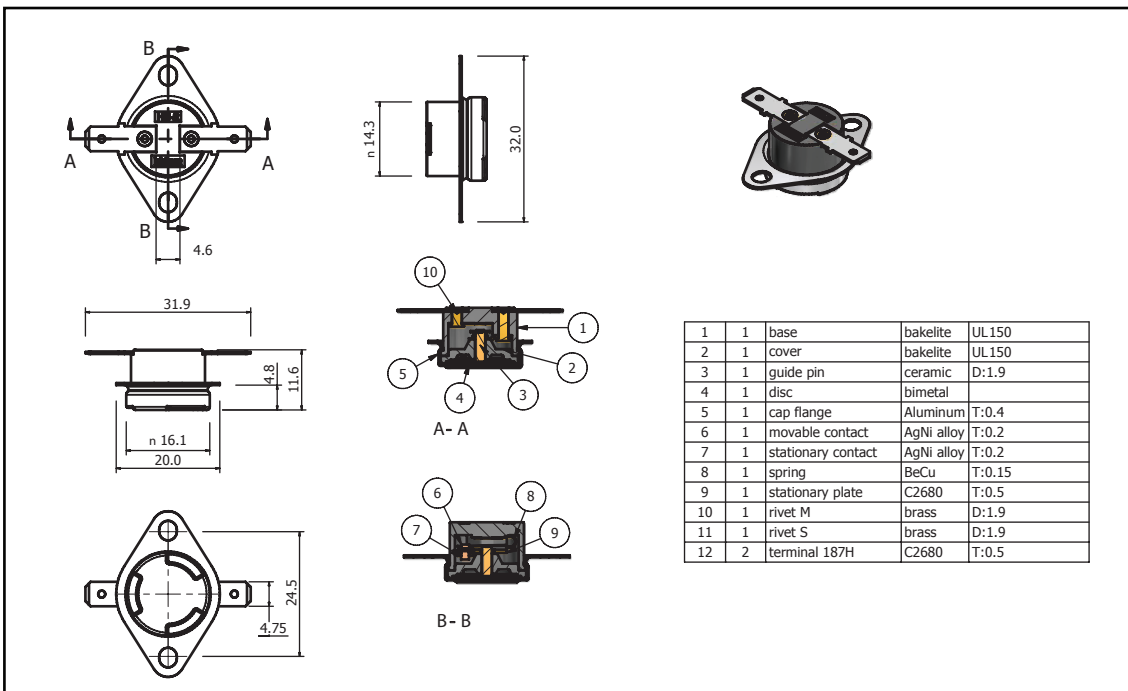
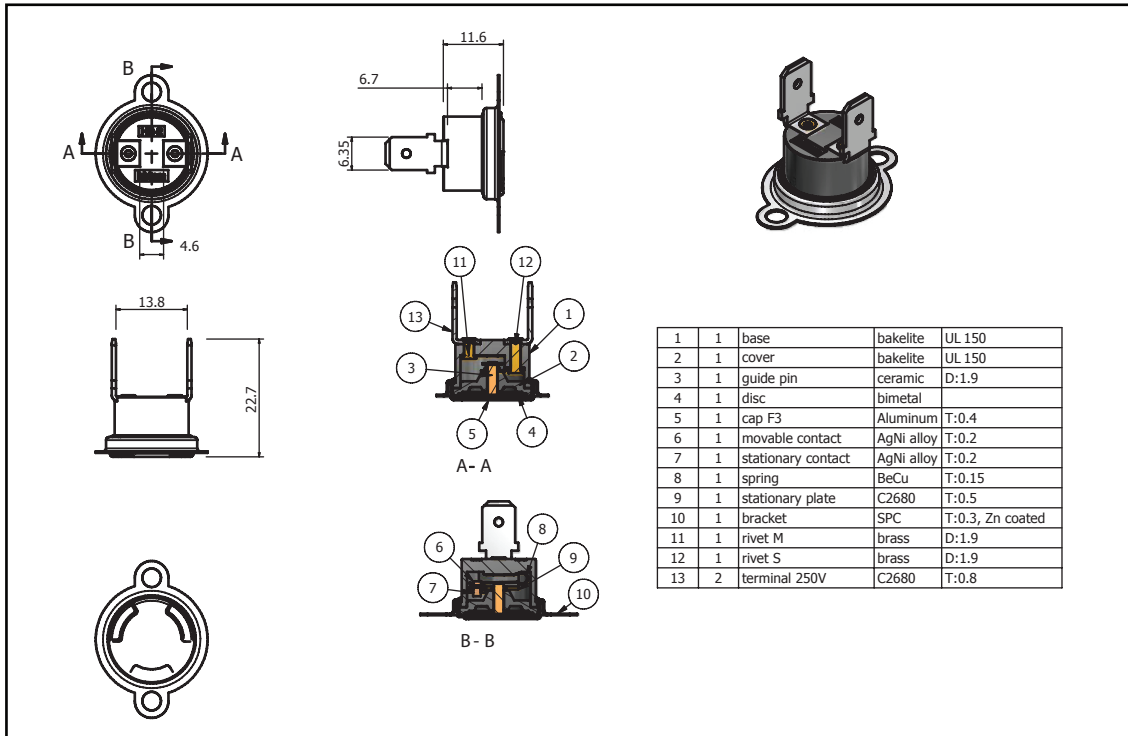
Phone: 330-966-3796
 Fax: 330-408-7085
 sales@calcoelectric.com
 2381 Locust St. S., Unit #6
 Canal Fulton OH, 44614
 www.calcoelectric.com

1/2" Disc Automatic Reset Thermostat



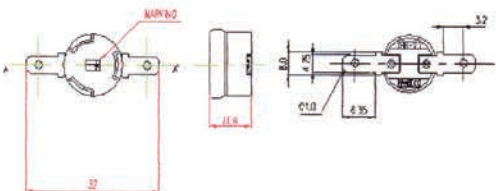

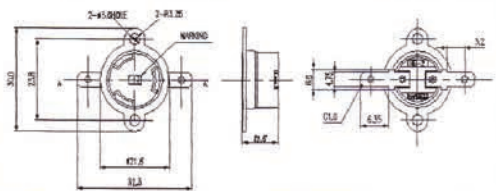

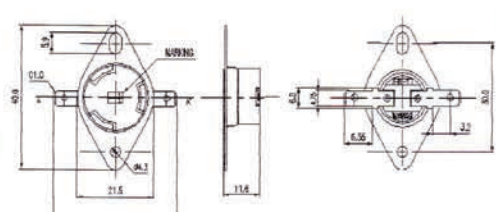

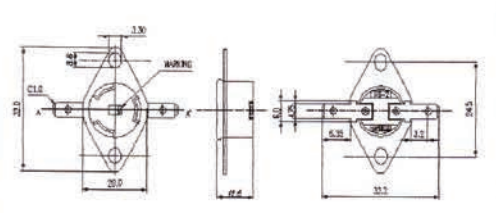

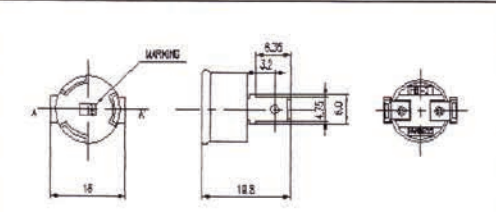

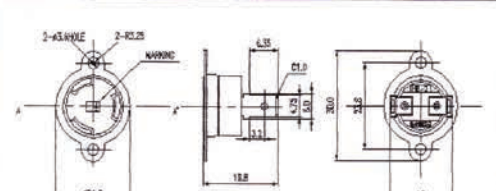

Phone: 330-966-3796
 Fax: 330-408-7085
 sales@calcoelectric.com
 2381 Locust St. S., Unit #6
 Canal Fulton OH, 44614
 www.calcoelectric.com

1/2" Disc Automatic Reset Thermostat



Phone: 330-966-3796
 Fax: 330-408-7085
 sales@calcoelectric.com
 2381 Locust St. S., Unit #6
 Canal Fulton OH, 44614
 www.calcoelectric.com

1/2" Disc Automatic Reset Thermostat

Drawing	Photo	Type	Remarks
		HB2-187H-N	No Bracket
		HB2-187H-A	Loose Bracket Pitch 23.8
		HB2-187H-B	Loose Bracket Pitch 30.0
		HB2-187H-F	Fixed Bracket Flange Bracket
		HB2-187V-N	
		HB2-187V-A	



Phone: 330-966-3796
 Fax: 330-408-7085
 sales@calcoelectric.com
 2381 Locust St. S., Unit #6
 Canal Fulton OH, 44614
 www.calcoelectric.com

1/2" Disc Moisture Resistant HB-3 Series Thermostat

General Specification

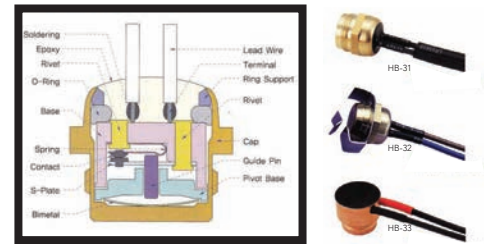
Moisture Resistant Temperature Control:

The HB-3 series of 1/2" bimetals disc from Calco offers proven reliability in a moisture resistant sealed design. A variety of lead wire configuration are available to provide maximum design flexibility. The HB-3 series have been specifically designed to permit easy mounting onto copper/aluminium tubing with excellent thermal response. Common applications include refrigeration defrost and ice maker control. Also includes air conditioning and heat pump control.

Features:

- Sealed construction provides moisture resistance
- Snap-action contact separation ensures long contact life
- Variety of lead material options provide excellent design flexibility
- Controls are 100% operation tested

Structure



General Specification

Item	Description		
Basic Features	1/2 Inch Thermostat		
Operation Type	A ; Open on rising temperature		B ; Close on rising temperature
Temperature Range	-20°C to 100°C	101°C to 120°C	121°C to 150°C
Tolerance	5°C	5°C	5°C
Difference	10°C	15°C	20°C
Calibration Method	1°C / 2min in air circulating chamber with rated current load of 200mA or less		
Insulation Resistance	More than 100MΩ at DC 500V by Mega Ohm tester		
Dielectric Strength	AC 1,200V for 1 second		
Contact Resistance	Less than 100mΩ		

Electrical Rating

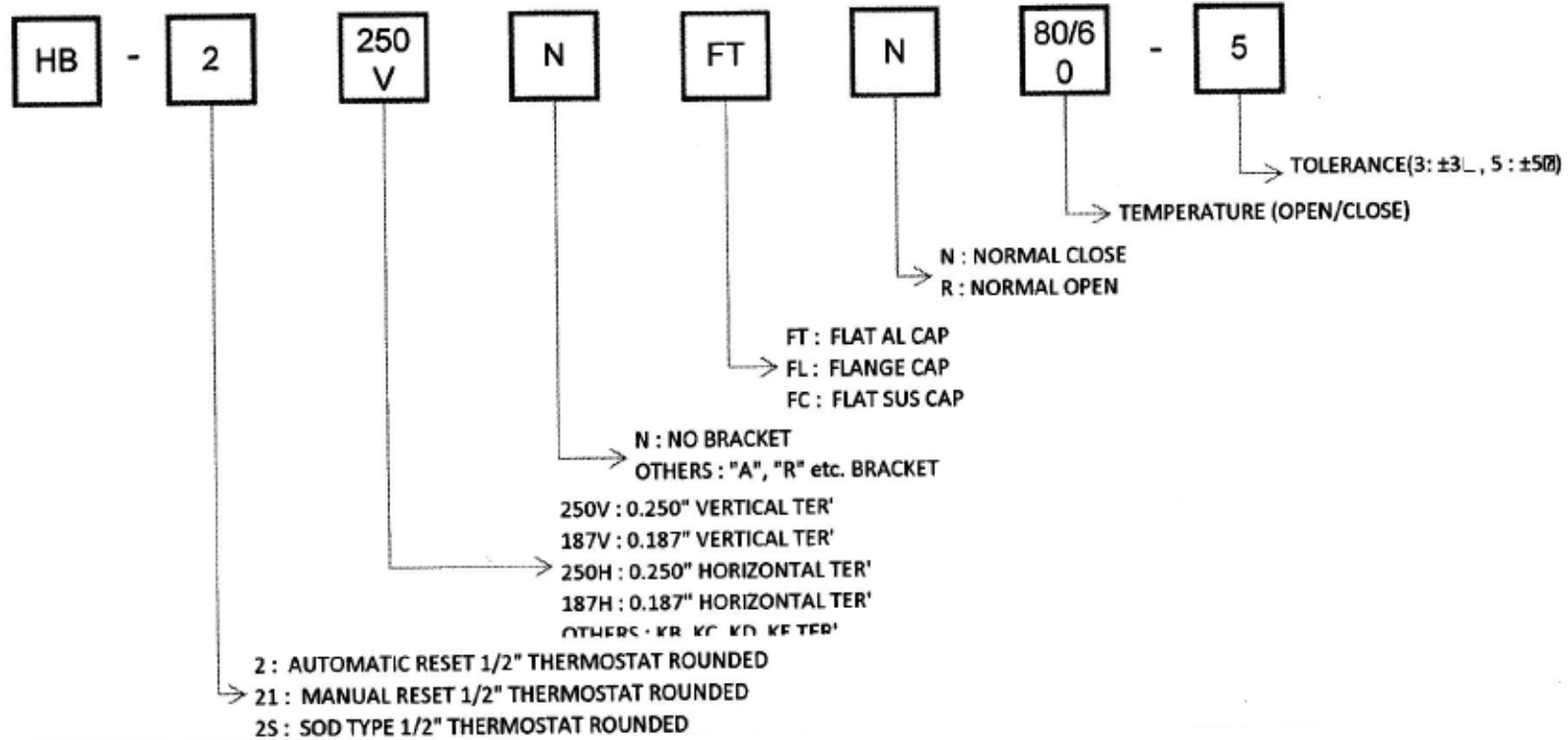
Rated Voltage	AC 125V	AC240V	AC250V	Epoxy Sealed
Rated Current	15A	10A	7.5A	
Minimum Current	200mA			
Frequency	50 / 60Hz			
Rated Cycles	100,000 cycles	CSA/UL Approvals		



Phone: 330-966-3796
 Fax: 330-408-7085
 sales@calcoelectric.com
 2381 Locust St. S., Unit #6
 Canal Fulton OH, 44614
 www.calcoelectric.com

1/2" Disc Automatic Reset Thermostat

Ordering Information



Phone: 330-966-3796
Fax: 330-408-7085
sales@calcoelectric.com
2381 Locust St. S., Unit #6
Canal Fulton OH, 44614
www.calcoelectric.com