

MTP1 Thermal Protector

PTC MANUAL RESETTING SERIES (LOCK-SELF TYPE)

Features:

- Diamond shape, small size
- Good pressure resistance
- Rapid response to high-sensitive temperature and current
- Rapid response
- Protect on the safe side
(cutoff lock self, reset after break down)

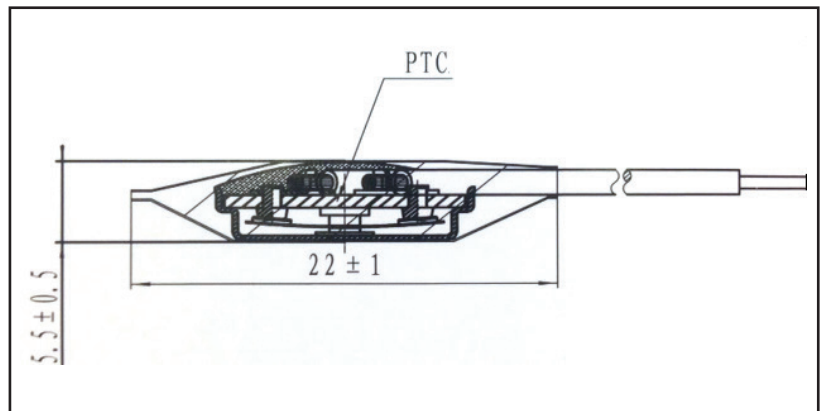
Applications:

- AC motor
- Coils
- Electromagnets
- Water boilers
- DC motor
- Generator
- Solar water heater
- Hot air driers
- Liquid pumps
- Transformers



Key Technical Parameters:

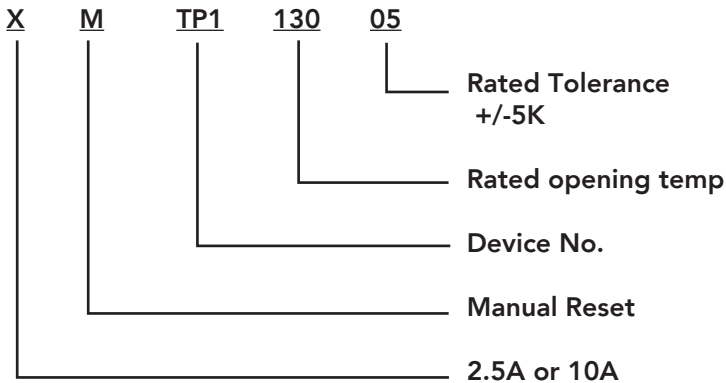
- Rated voltage: 50/60HZ, 250V, AC
- Nominal current: 2.5 (1.6) A, /10 (6.3) A, COS φ1.0 (0.6)
- Rated opening temperature range: +60°C~+160°C



Certifications:

AGENCY	STANDARD NO.	APPLICATION
VDE	EN 60730-2-2	Motor Protection
UL	UL 2111	Motor Protection

Code System:



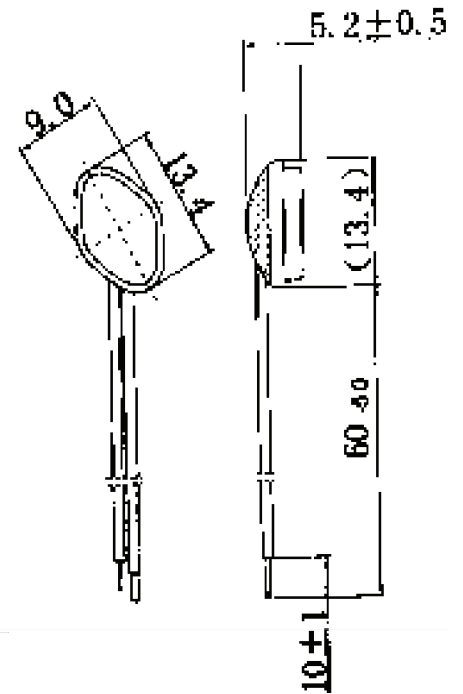
Phone: 330-966-3796
 Fax: 330-408-7085
 sales@calcoelectric.com
 2381 Locust St. S., Unit #6
 Canal Fulton, OH 44614
 www.calcoelectric.com

MTP1 Thermal Protector

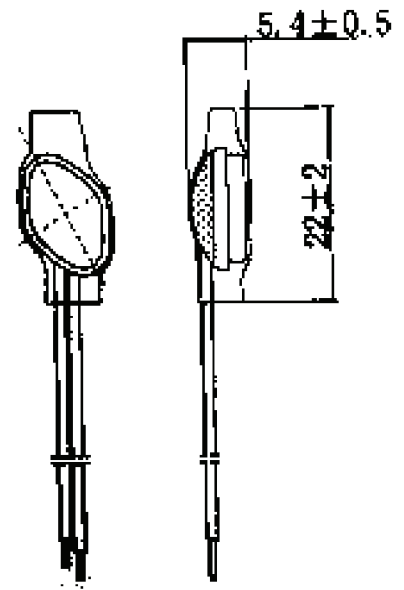
PTC MANUAL RESETTING SERIES (LOCK-SELF TYPE)

Main Technique Parameters:

Type		2.5A	10A
Rated Voltage:50/60HZ		220-250V	220-250V
Rated Current	COSΦ=1.0	2.5A	10.0A
	COSΦ=0.6	1.6A	6.3A
AC Max.load	250V 50/60HZ	6.3A	16A
	110V 50/60HZ	10.0A	36.0A
DC Max.load	60V	1.0A	4.0A
	42V	1.2A	4.8A
	6V 12V 24V	1.5A	6.0A
Contact arrangement	Normally Closed		
Rated Open temp.range	+60°C~+160°C,In steps of 5°C		
Tolerance	±5°C		
Resetting temperature	Under normal temp. circumstance, reset after break down		
Contact resistance	≤50mΩ		
Proof tracking index	PT1 175		
For protection class	ClassI		
Insulation class	IP00		
Automatic action	Type 3 action		
Pressure stability of housing	100N		
Vibration proof at 10-60Hz	10 m/s ²		
Dielectric Strength	AC 1500V 50/60HZ 1MIN		
Standard connection	0.2 to 0.75mm ² (24AWG to 18AWG)		
Case material	Stainless steel		
Switching cycles at In	3000 cycles		
Length of shrinking cap	22±2mm		



Without Insulation



With Insulated Sleeve

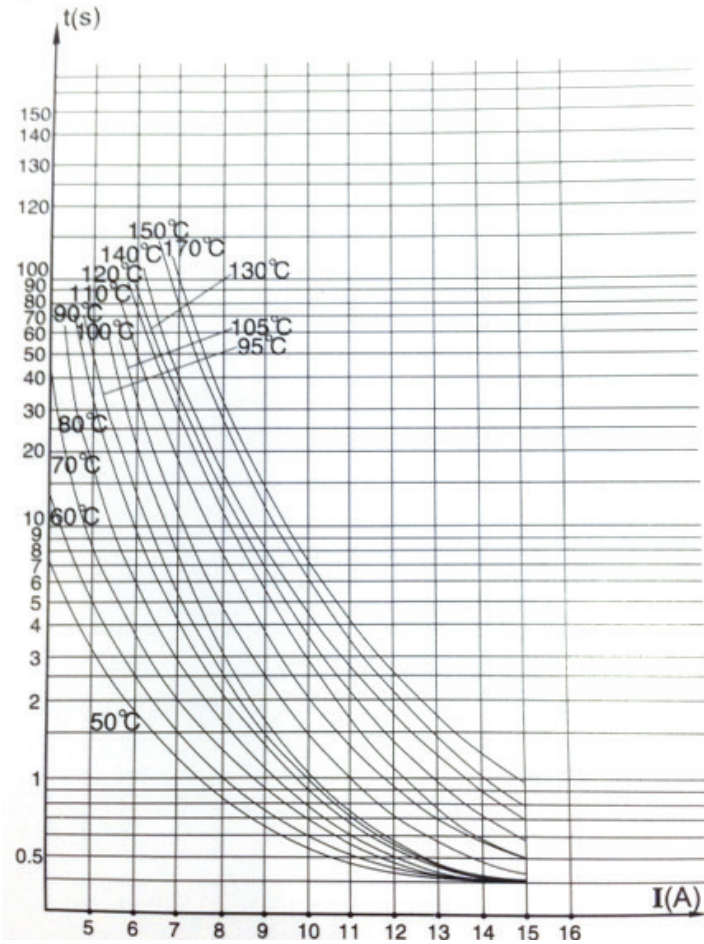


Phone: 330-966-3796
 Fax: 330-408-7085
 sales@calcoelectric.com
 2381 Locust St. S., Unit #6
 Canal Fulton, OH 44614
 www.calcoelectric.com

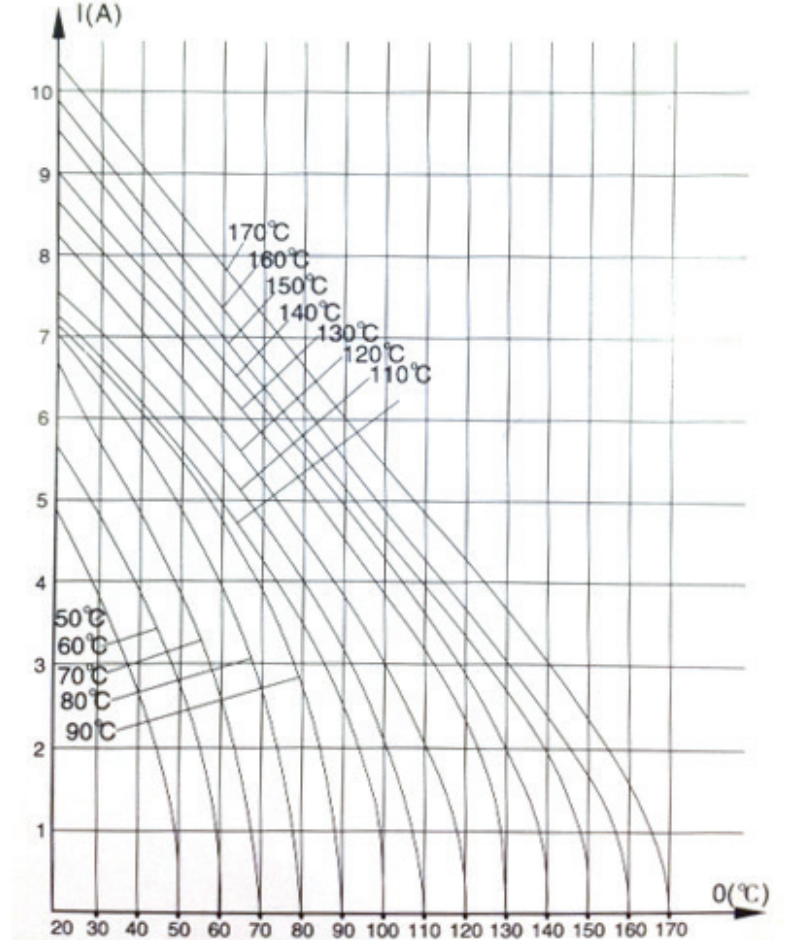
MTP1 Thermal Protector

PTC MANUAL RESETTING SERIES (LOCK-SELF TYPE)

Average First Cycle Tripping Time vs. Current (ambient is 25°C)



Ultimate Trip Current vs. Ambient Temperature



Phone: 330-966-3796
 Fax: 330-408-7085
 sales@calcoelectric.com
 2381 Locust St. S., Unit #6
 Canal Fulton, OH 44614
 www.calcoelectric.com