

ST01 Series

THERMAL MOTOR PROTECTOR | TEMPERATURE LIMITER | THERMAL CUTOUT

Advantages of ST01 Series

Small size, easy to install
 Accurate temperature response
 Temperature sensitive
 Compact & pressure stable



Applications

- Motors
- Coils
- Transformers
- Electronics, sensor

Technical Data	Normally closed	Normally open
Nominal Switching Temperature, in 5K-step(Tk)	60~180°C	60~180°C
Tolerance-Standard	±5K	±5K
Reset temperature range	Generally two-thirds of the operating temp±15K	Generally two-thirds of the operating temp±15K
Max. operating voltage	500VAC 60VDC	500VAC 60VDC
Working current	250VAC 5A	250VAC 5A
Cycles at 250VAC/3.0A cosφ1.0	10000	○
Cycles at 250VAC/6.3A cos φ 1.0	3000	○
Cycles at 250VAC/4.0A cos φ 0.45	1000	○
Cycles at 250VAC/1.0A cos φ 0.45	10000	○
Contact resistance	<50mΩ	○
Insulation voltage	2KV	2KV
Insulation sleeve length "a"	>16mm	>16mm
Diameter "d"	<9.2mm	<9.2mm
Height "h"	<5.0mm	<5.0mm
Sectional area of outgoing line	0.5mm ²	0.5mm ²
Lead wire-standard	UL10362 AWG22	UL10362 AWG22
Max temperature-wire	250 °C	250 °C
Operating voltage-wire	600V	600V
Outgoing line length-standard	L1=L4=520±10mm L2=L3=200±5mm L5=L6=55±5mm	L1=L4=520±10mm L2=L3=200±5mm L5=L6=55±5mm

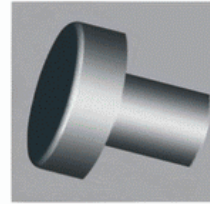
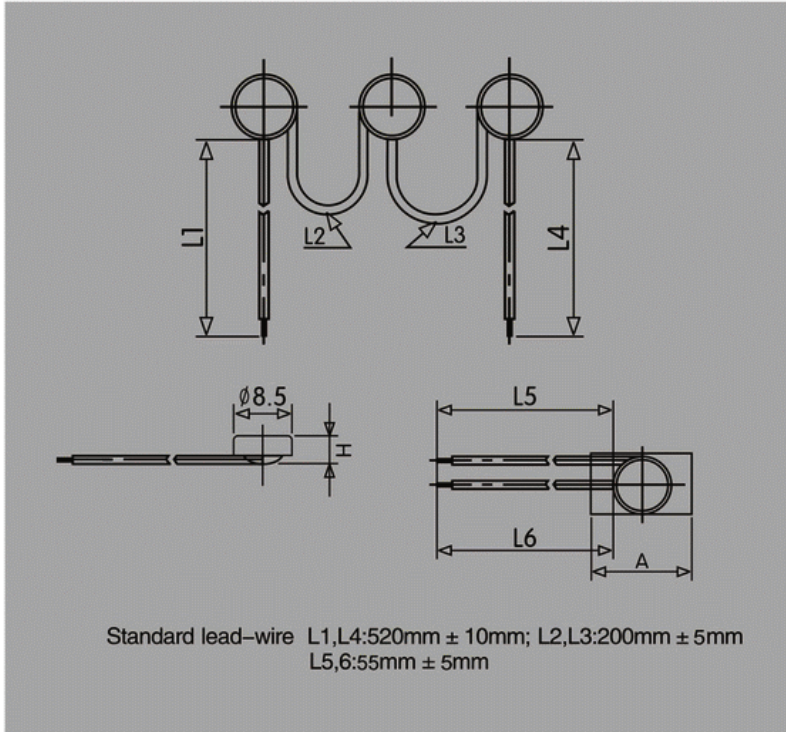


Phone: 330-966-3796
 Fax: 330-408-7085
 sales@calcoelectric.com
 2381 Locust St. S., Unit #6
 Canal Fulton, OH 44614
 www.calcoelectric.com

ST01 Series

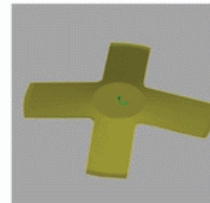
THERMAL MOTOR PROTECTOR | TEMPERATURE LIMITER | THERMAL CUTOUT

Structure

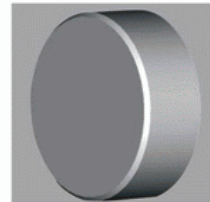


Advantages

- Contact: Silver alloy with long lifetime over current capability



- Spring: Beryllium copper imported from Japan, with good elasticity



- Case: Brass, better thermal conduction, precision control within 0.02mm, the thickness of silver plated on the surface up to 3um

CERTIFICATION	Agency	Standard No.	File No.	Application
	CQC	GB14536.3	CQC12002072538	Motor protector
	CQC	GB14536.4	CQC12002072540	Lighting ballast
	CQC	GB14536.10	CQC12002072539	Thermostat
	CB	IEC 60730-2-2	CN23342-A1	Motor protector
	CB	IEC 60730-2-9	CN23341-A1	Thermostat
	TUV	IEC 60730-2-3	R 50231356	Lighting ballast
	TUV	IEC 60730-2-9	R 50230650	Thermostat
	UL	2111	E336 / 50	Motor protector


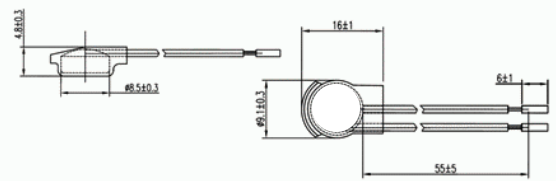
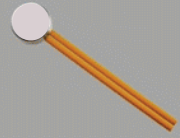
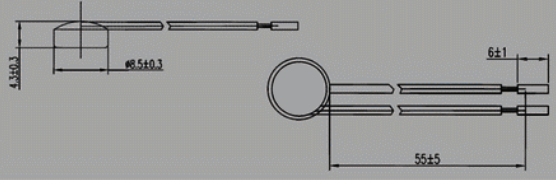
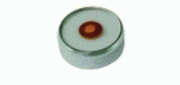
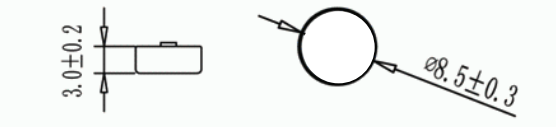

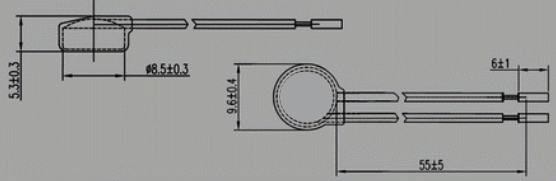

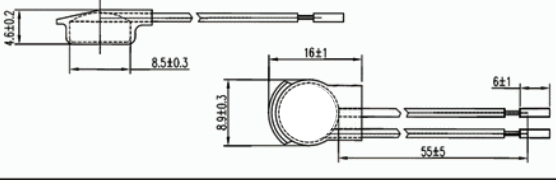

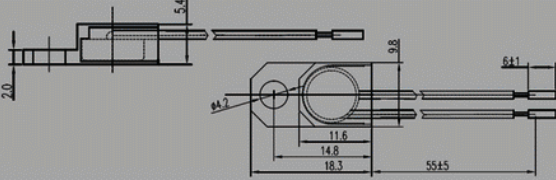


Phone: 330-966-3796
 Fax: 330-408-7085
 sales@calcoelectric.com
 2381 Locust St. S., Unit #6
 Canal Fulton, OH 44614
 www.calcoelectric.com

ST01 Series

THERMAL MOTOR PROTECTOR | TEMPERATURE LIMITER | THERMAL CUTOUT

Dimensional Drawing of Different Encapsulation

Type	Code	Illustration	Drawing dimensions(mm)	Technical specification
ST01	U1			With shrink cap insulation
ST01	U2			Without cap insulation
ST01	U3			Without epoxy cover and lead wire
ST01	U4			With epoxy cover
ST01	U5			Transparent shrink cap insulation
ST01	U6			PBT insulating case


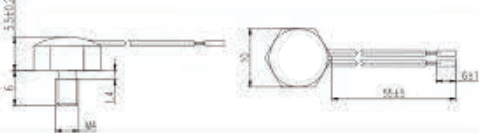

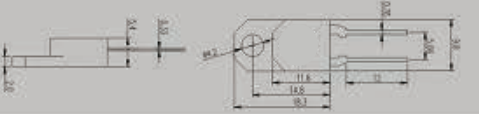






Phone: 330-966-3796
 Fax: 330-408-7085
 sales@calcoelectric.com
 2381 Locust St. S., Unit #6
 Canal Fulton, OH 44614
 www.calcoelectric.com

ST01 Series

THERMAL MOTOR PROTECTOR | TEMPERATURE LIMITER | THERMAL CUTOUT

Dimensional Drawing of Different Encapsulation - cont.

Type	Code	Illustration	Drawing dimensions(mm)	Technical specification
ST01	U7			With M4 threaded case
ST01	U8			Housing of PBT, leadframe leads, grid dimension 5.08 potted
ST01-S (Super thin)	U2			thickness 2.5mm
ST01-H (Self hold)	U2			with PTC self-hold

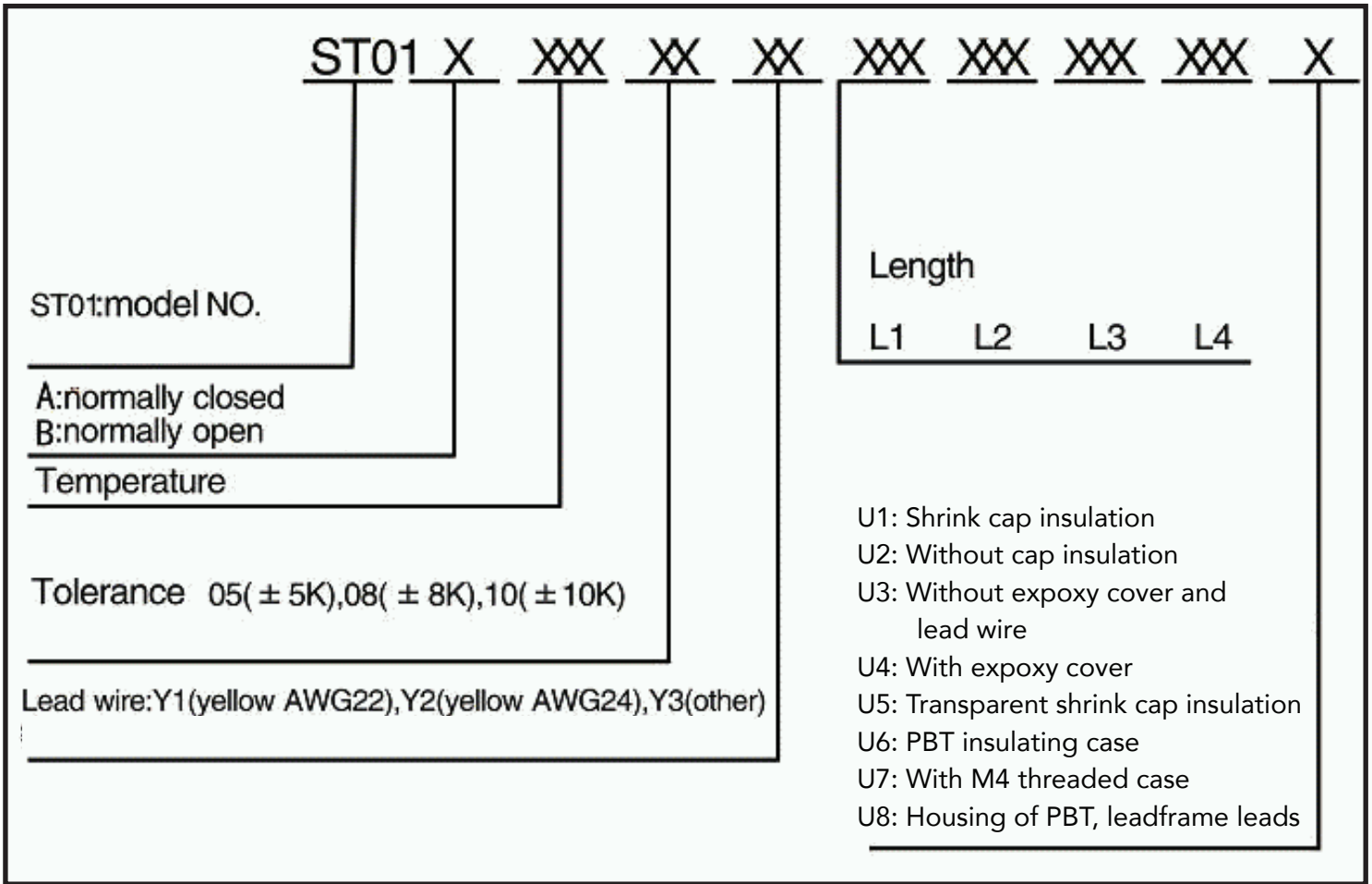


Phone: 330-966-3796
Fax: 330-408-7085
sales@calcoelectric.com
2381 Locust St. S., Unit #6
Canal Fulton, OH 44614
www.calcoelectric.com

ST01 Series

THERMAL MOTOR PROTECTOR | TEMPERATURE LIMITER | THERMAL CUTOUT

Code System



Marking



Model Number
Company Name
Response Temp ; Tolerance



Phone: 330-966-3796
Fax: 330-408-7085
sales@calcoelectric.com
2381 Locust St. S., Unit #6
Canal Fulton, OH 44614
www.calcoelectric.com